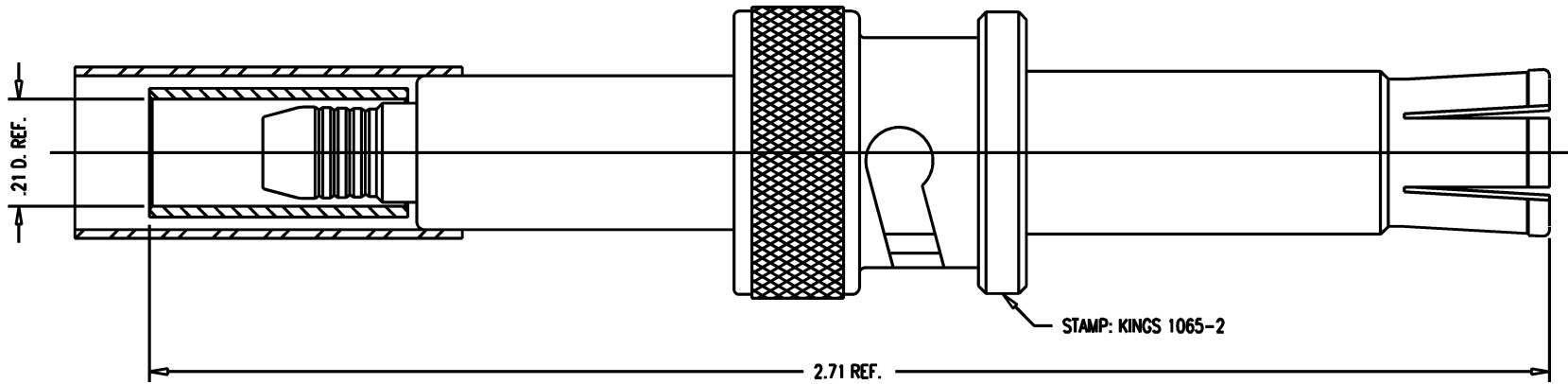


GSD

1065-2



NOTES:

1. FOR USE WITH LASL TYPE C 9Y19503 CABLE.
2. FOR CABLING INSTRUCTIONS SEE CP-419.
3. MATERIALS:
 - HEAT SHRINK TUBE: POLYOLEFIN, MIL-I-23053/5
 - O-RING: SYNTHETIC RUBBER, MIL-P-25732
 - GASKET: SILICONE RUBBER, ZZ-R-765
 - INSULATOR: H.D.POLYETHELENE, MIL-P-22748
 - K-GRIP SLEEVE: COM'L BRONZE, ASTM-B-140
 - SPRING WASHER } BER. COPPER, ASTM-B-194
 - CENTER CONTACT } BER. COPPER, ASTM-B-194
 - BODY }
 - ALL OTHER METAL PARTS: BRASS, ASTM-B16
4. FINISHES:
 - CENTER CONTACT: GOLD PLATE PER MIL-G-45204
 - SPRING WASHER: SILVER PLATE PER QQ-S-365
 - ALL OTHER METAL PARTS: KINGS TARNISH RESISTANT NICKEL FINISH (TR-5)
5. ELECTRICAL CHARACTERISTICS:
 - NOMINAL IMPEDANCE: NON-CONSTANT
 - OPERATING VOLTAGE: 10KV DC

REVISIONS

ISSUE	CHANGES
8	CN 36757 C REDRAWN ME 01/04/96

QGS1138

SCALE : 4:1
APPROX SURFACE AREA
USED ON
REF:
PL, 10KV, F
DRAWN ME 01/04/96
DESIGN MJB 01/04/96
APPR. DATE

KINGS
ELECTRONICS CO., INC.
TUCKAHOE, NEW YORK 10707

GSD

1065-2